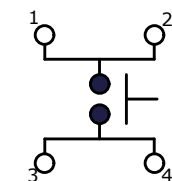
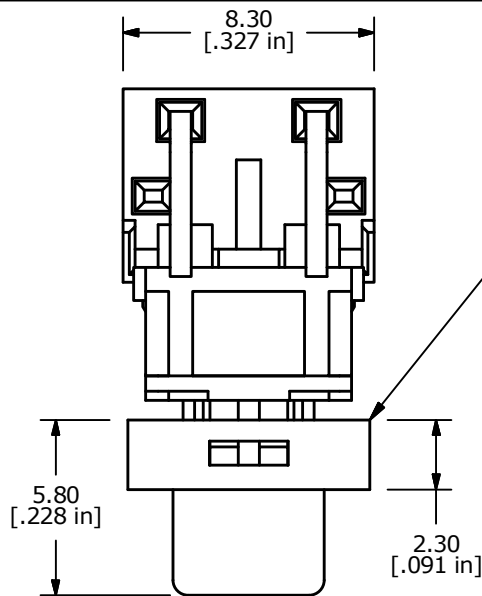


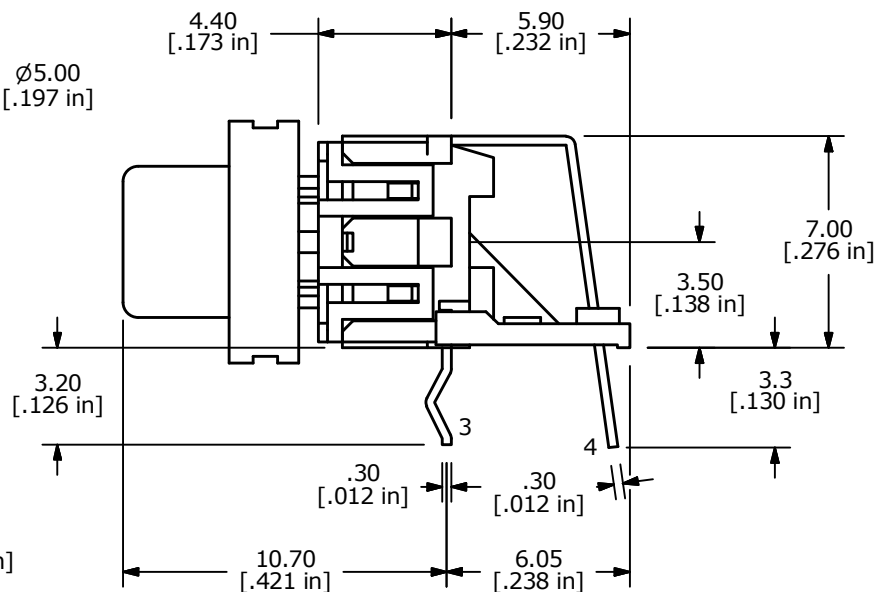
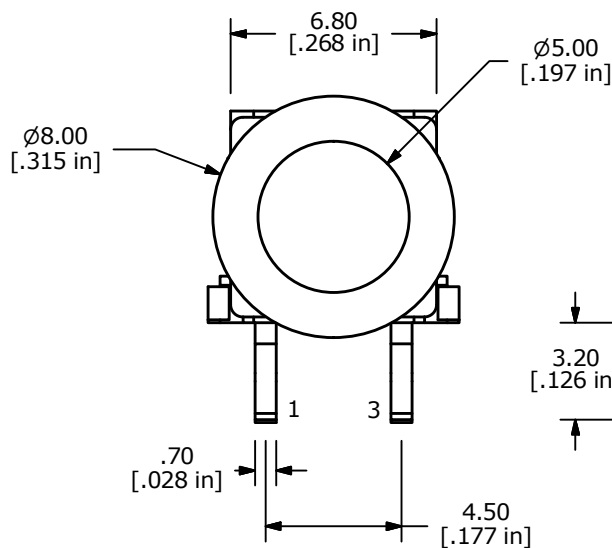
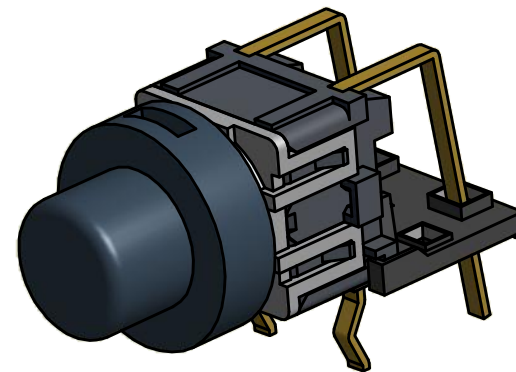
P.C.B LAYOUT



▲ CIRCUIT: SPST



▲ CAP MATERIAL TO BE BLACK POLYCARBONATE



NOTES:

1. ALL DIMENSIONS IN MM [INCH]
2. GENERAL TOLERANCE: X.X=±0.4
X.XX=±0.25
3. RATING: 50mA @ 12VDC
4. CONTACT RESISTANCE: 100mΩ MAX.
5. INSULATION RESISTANCE: 100MΩ MIN.
6. OPERATING FORCE: 180 ± 60gf
7. TRAVEL: 0.2 ± 0.1mm
8. OPERATING TEMPERATURE: -20°C TO 70°C
9. OPERATING LIFE: 50,000 CYCLES
- ▲10. LED: NONE
- ▲11. CONTACTS: SILVER.
12. ▲ DENOTES CRITICAL PARAMETERS
13. 2011/65/EU (ROHS) COMPLIANT
14. PARTS TO BE PACKAGED IN TRAYS, 100 PIECES PER TRAY.



B	23178	UPDATED NOTE ..TUBES,60 TO TRAYS, 100	1/22/18	MJR
A	21269	INITIAL RELEASE	10/21/13	EBP
REV	PCR NO	DESCRIPTION	DATE	BY

TITLE TL1250F180AQRBLK				
SCALE	DATE	DR	DWG	REV
4:1	10/21/2013	EBP	P010841	B